

NACHI



NNP 2.0 Hydraulic Power Unit



Multiple Pressure Compensation Options

**Low Friction Nachi Bearings Guarantee
Pump Viability**



NNP 2.0 Features

- High operating efficiency for lower power consumption and reduced heat generation
- Semi-circular swash plate reduces power loss by ensuring a stable discharge volume
- 11 piston design minimizes flow ripple, further reducing noise

UPP Uni-Pump

- Multiple pressure compensation options
- Dual voltage cast iron motor provides a durable platform for diverse applications
- Low friction Nachi bearings guarantee pump viability

Applications

- CNC Machine
- Lathe
- Mill
- Injection Molding Machine
- Hydraulic Press
- Metal Forming Machinery

Explanation of Model Number

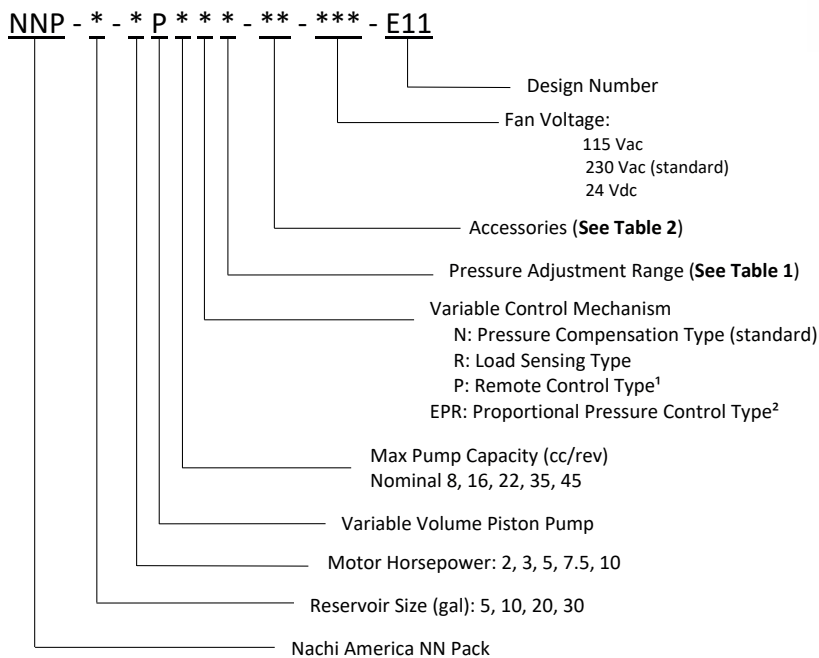


Table 1

1: 290 – 1015 psi
3: 435 – 3045 psi

Table 2

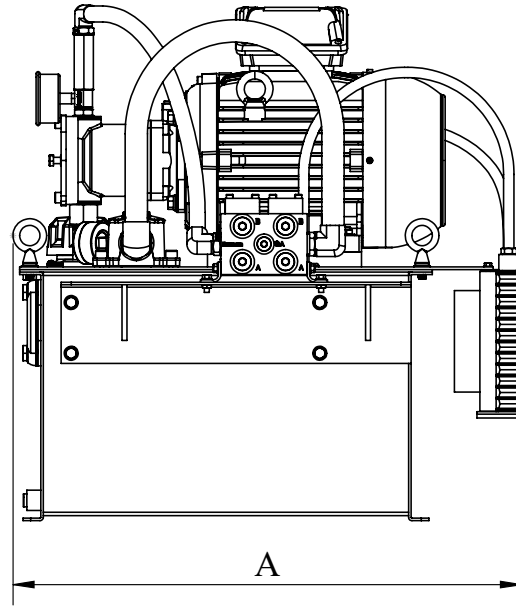
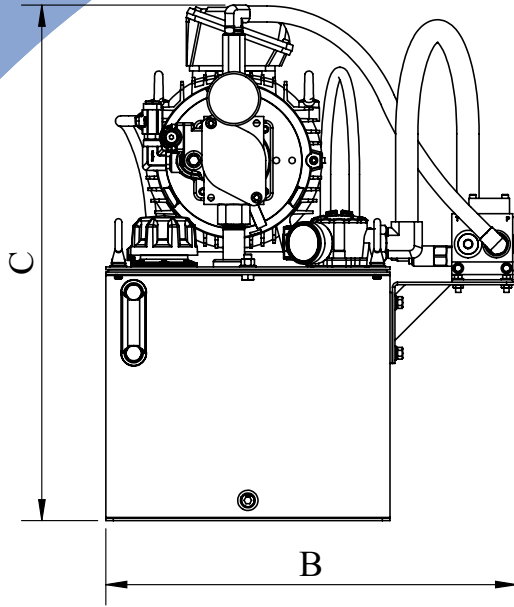
F2: 2 Station D03 Manifold
F3: 3 Station D03 Manifold
F4: 4 Station D03 Manifold
F205: 2 Station D05 Manifold
F305: 3 Station D05 Manifold
F405: 4 Station D05 Manifold
H: Temp/Level Switch
S: Filter Switch
U: Pressure Switch
W: Water Cooler

1. *The ZR-T02-3-5895A is the recommended remote-control valve. Piping volume should not exceed 9 cubic inches.
2. For EPR control, EDA-PD1-NWZ-D-D2-11 is the recommended amplifier.

NNP 2.0 Series

NNP 2.0 Specifications

Model No.	Pump Capacity (in ³ /rev)	Flow Rate (gpm)	Motor Capacity (hp)	Maximum Pressure (psi)	Tank Capacity (gal)	Fan Cooler Voltage (vac)	Motor Voltage (vac)
NNP-5-2P8N'-''-''-E11	0.18 - 0.48	3.8	2	3045	5	115 vac 230 vac 24 vdc	208 - 230 / 460 vac
NNP-5-3P8N'-''-''-E11			3				
NNP-5-5P8N'-''-''-E11			5				
NNP-5-75P8N'-''-''-E11			7.5				
NNP-5-2P16N'-''-''-E11	0.3 - 1.0	7.8	2				
NNP-5-3P16N'-''-''-E11			3				
NNP-5-5P16N'-''-''-E11			5				
NNP-5-75P16N'-''-''-E11			7.5				
NNP-5-2P22N'-''-''-E11	0.42 - 1.34	10.5	2				
NNP-5-3P22N'-''-''-E11			3				
NNP-5-5P22N'-''-''-E11			5				
NNP-5-75P22N'-''-''-E11			7.5				
NNP-10-2P8N'-''-''-E11	0.18 - 0.48	3.8	2				
NNP-10-3P8N'-''-''-E11			3				
NNP-10-5P8N'-''-''-E11			5				
NNP-10-75P8N'-''-''-E11			7.5				
NNP-10-2P16N'-''-''-E11	0.3 - 1.0	7.8	2				
NNP-10-3P16N'-''-''-E11			3				
NNP-10-5P16N'-''-''-E11			5				
NNP-10-75P16N'-''-''-E11			7.5				
NNP-10-2P22N'-''-''-E11	0.42 - 1.34	10.5	2				
NNP-10-3P22N'-''-''-E11			3				
NNP-10-5P22N'-''-''-E11			5				
NNP-10-75P22N'-''-''-E11			7.5				
NNP-20-2P16N'-''-''-E11	0.3 - 1.0	7.8	2				
NNP-20-3P16N'-''-''-E11			3				
NNP-20-5P16N'-''-''-E11			5				
NNP-20-75P16N'-''-''-E11			7.5				
NNP-20-10P16N'-''-''-E11			10				
NNP-20-2P22N'-''-''-E11	0.42 - 1.34	10.5	2				
NNP-20-3P22N'-''-''-E11			3				
NNP-20-5P22N'-''-''-E11			5				
NNP-20-75P22N'-''-''-E11			7.5				
NNP-20-10P22N'-''-''-E11			10				
NNP-20-10P35N'-''-''-E11	0.48 - 2.1	16.6	10				
NNP-20-10P45N'-''-''-E11	0.67 - 2.74	21.5	10				
NNP-30-2P16N'-''-''-E11	0.3 - 1.0	7.8	2				
NNP-30-3P16N'-''-''-E11			3				
NNP-30-5P16N'-''-''-E11			5				
NNP-30-75P16N'-''-''-E11			7.5				
NNP-30-10P16N'-''-''-E11			10				
NNP-30-2P22N'-''-''-E11	0.42 - 1.34	10.5	2				
NNP-30-3P22N'-''-''-E11			3				
NNP-30-5P22N'-''-''-E11			5				
NNP-30-75P22N'-''-''-E11			7.5				
NNP-30-10P22N'-''-''-E11			10				
NNP-30-10P35N'-''-''-E11	0.48 - 2.1	16.6	10				
NNP-30-10P45N'-''-''-E11	0.67 - 2.74	21.5	10				



Non Manifold Dimensions (in inches)

	A	B	C
NNP-5-2P8N'-''-''-E11	24.71	14.00	22.04
NNP-5-3P8N'-''-''-E11			
NNP-5-5P8N'-''-''-E11			
NNP-5-2P16N'-''-''-E11			
NNP-5-3P16N'-''-''-E11			
NNP-5-5P16N'-''-''-E11			
NNP-5-2P22N'-''-''-E11			
NNP-5-3P22N'-''-''-E11			
NNP-5-5P22N'-''-''-E11			
NNP-5-75P8N'-''-''-E11			24.71
NNP-5-75P16N'-''-''-E11			
NNP-5-75P22N'-''-''-E11			
NNP-10-2P8N'-''-''-E11			
NNP-10-3P8N'-''-''-E11			
NNP-10-5P8N'-''-''-E11			
NNP-10-2P16N'-''-''-E11			
NNP-10-3P16N'-''-''-E11			
NNP-10-5P16N'-''-''-E11			
NNP-10-2P22N'-''-''-E11	30.71	21.00	
NNP-10-3P22N'-''-''-E11			
NNP-10-5P22N'-''-''-E11			
NNP-10-75P8N'-''-''-E11			
NNP-10-75P16N'-''-''-E11			
NNP-10-75P22N'-''-''-E11			
NNP-20-2P16N'-''-''-E11			
NNP-20-3P16N'-''-''-E11			
NNP-20-5P16N'-''-''-E11			
NNP-20-2P22N'-''-''-E11			30.71
NNP-20-3P22N'-''-''-E11			
NNP-20-5P22N'-''-''-E11			
NNP-20-75P16N'-''-''-E11			
NNP-20-10P16N'-''-''-E11			
NNP-20-75P22N'-''-''-E11			
NNP-20-10P22N'-''-''-E11			
NNP-20-10P35N'-''-''-E11			
NNP-20-10P45N'-''-''-E11			
NNP-30-2P16N'-''-''-E11	30.71	21.00	
NNP-30-3P16N'-''-''-E11			
NNP-30-5P16N'-''-''-E11			
NNP-30-2P22N'-''-''-E11			
NNP-30-3P22N'-''-''-E11			
NNP-30-5P22N'-''-''-E11			
NNP-30-75P16N'-''-''-E11			
NNP-30-10P16N'-''-''-E11			
NNP-30-75P22N'-''-''-E11			
NNP-30-10P22N'-''-''-E11			30.71
NNP-30-10P35N'-''-''-E11			
NNP-30-10P45N'-''-''-E11			
NNP-30-10P35N'-''-''-E11			
NNP-30-10P45N'-''-''-E11			

Manifold Dimensions (in inches)

	A	B	C
NNP-5-2P8N'-''-''-E11	24.71	20.24	22.15
NNP-5-3P8N'-''-''-E11			
NNP-5-5P8N'-''-''-E11			
NNP-5-2P16N'-''-''-E11			
NNP-5-3P16N'-''-''-E11			
NNP-5-5P16N'-''-''-E11			
NNP-5-2P22N'-''-''-E11			
NNP-5-3P22N'-''-''-E11			
NNP-5-5P22N'-''-''-E11			
NNP-5-75P8N'-''-''-E11			24.71
NNP-5-75P16N'-''-''-E11			
NNP-5-75P22N'-''-''-E11			
NNP-10-2P8N'-''-''-E11			
NNP-10-3P8N'-''-''-E11			
NNP-10-5P8N'-''-''-E11			
NNP-10-2P16N'-''-''-E11			
NNP-10-3P16N'-''-''-E11			
NNP-10-5P16N'-''-''-E11			
NNP-10-2P22N'-''-''-E11	30.71	27.24	
NNP-10-3P22N'-''-''-E11			
NNP-10-5P22N'-''-''-E11			
NNP-10-75P8N'-''-''-E11			
NNP-10-75P16N'-''-''-E11			
NNP-10-75P22N'-''-''-E11			
NNP-20-2P16N'-''-''-E11			
NNP-20-3P16N'-''-''-E11			
NNP-20-5P16N'-''-''-E11			
NNP-20-2P22N'-''-''-E11			30.71
NNP-20-3P22N'-''-''-E11			
NNP-20-5P22N'-''-''-E11			
NNP-20-75P16N'-''-''-E11			
NNP-20-10P16N'-''-''-E11			
NNP-20-75P22N'-''-''-E11			
NNP-20-10P22N'-''-''-E11			
NNP-20-10P35N'-''-''-E11			
NNP-20-10P45N'-''-''-E11			
NNP-30-2P16N'-''-''-E11	30.71	27.24	
NNP-30-3P16N'-''-''-E11			
NNP-30-5P16N'-''-''-E11			
NNP-30-2P22N'-''-''-E11			
NNP-30-3P22N'-''-''-E11			
NNP-30-5P22N'-''-''-E11			
NNP-30-75P16N'-''-''-E11			
NNP-30-10P16N'-''-''-E11			
NNP-30-75P22N'-''-''-E11			
NNP-30-10P22N'-''-''-E11			30.71
NNP-30-10P35N'-''-''-E11			
NNP-30-10P45N'-''-''-E11			
NNP-30-10P35N'-''-''-E11			
NNP-30-10P45N'-''-''-E11			