



# S3570 COMPACT GROUP LOCK BOX

## Compact size for group lockout convenience

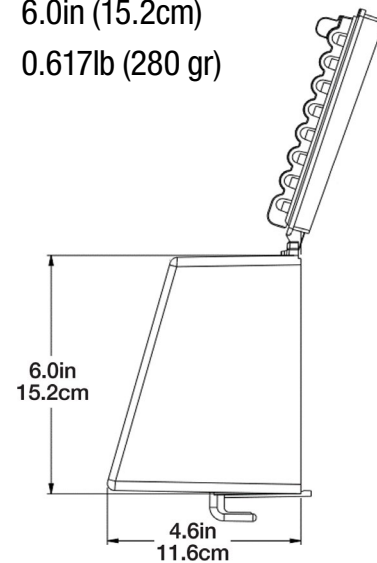
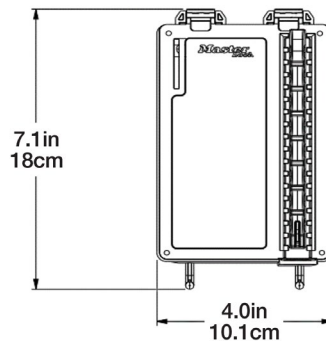
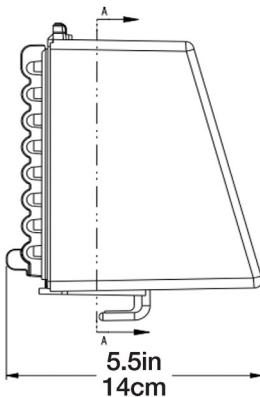
This lightweight group lock box is an efficient and multi-purpose solution for smaller teams. The S3570 can be wall mounted and is also highly portable. Its compact design holds up to 6 padlocks internally for protected storage, and can be locked out with up to 8 padlocks or hasps externally.

- Top-hinged transparent polycarbonate window for easy key viewing
- 6 hooks inside the box for hanging keys to keep them visible
- Stores up to 6 safety padlocks inside
- Sliding lock rail can be locked out with up to 8 padlocks or hasps
- 2 outside hooks to hold folded permit paperwork, hang tags or extra items
- Lightweight, compact red plastic portable lock box for smaller teams
- Optimal operating temperatures -40°C to 65°C



## SPECIFICATIONS

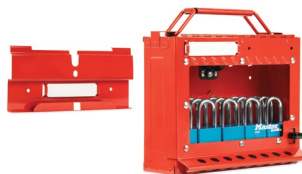
<b>Overall Height</b>	7.1in (18cm)	<b>Window Height</b>	6.0in (15.2cm)
<b>Overall Width</b>	4.0in (10.1cm)	<b>Weight</b>	0.617lb (280 gr)
<b>Largest Depth</b>	5.5in (14cm)		



Visit [masterlocksafety.com](https://masterlocksafety.com) for all Safety Lockout products



**S600**  
Portable Group Lock  
Box with Key Window



**S3650**  
Group Lock Box with  
Wall Mounting Bracket

**Master  
Lock**

[www.masterlock.com](https://www.masterlock.com)

Master Lock Company LLC, Milwaukee, WI 53154 U.S.A. | 800-308-9244  
Master Lock Canada, Mississauga, Ontario L5L 5Z9 Canada  
© 2023 Master Lock Company | All Rights Reserved.

7000-0143 MC 1500 11/23

See How  
it Works

