

SEALMASTER®



**PRODUCT
CATALOG**



SEALMASTER® SS GOLD™ MOUNTED BALL BEARINGS

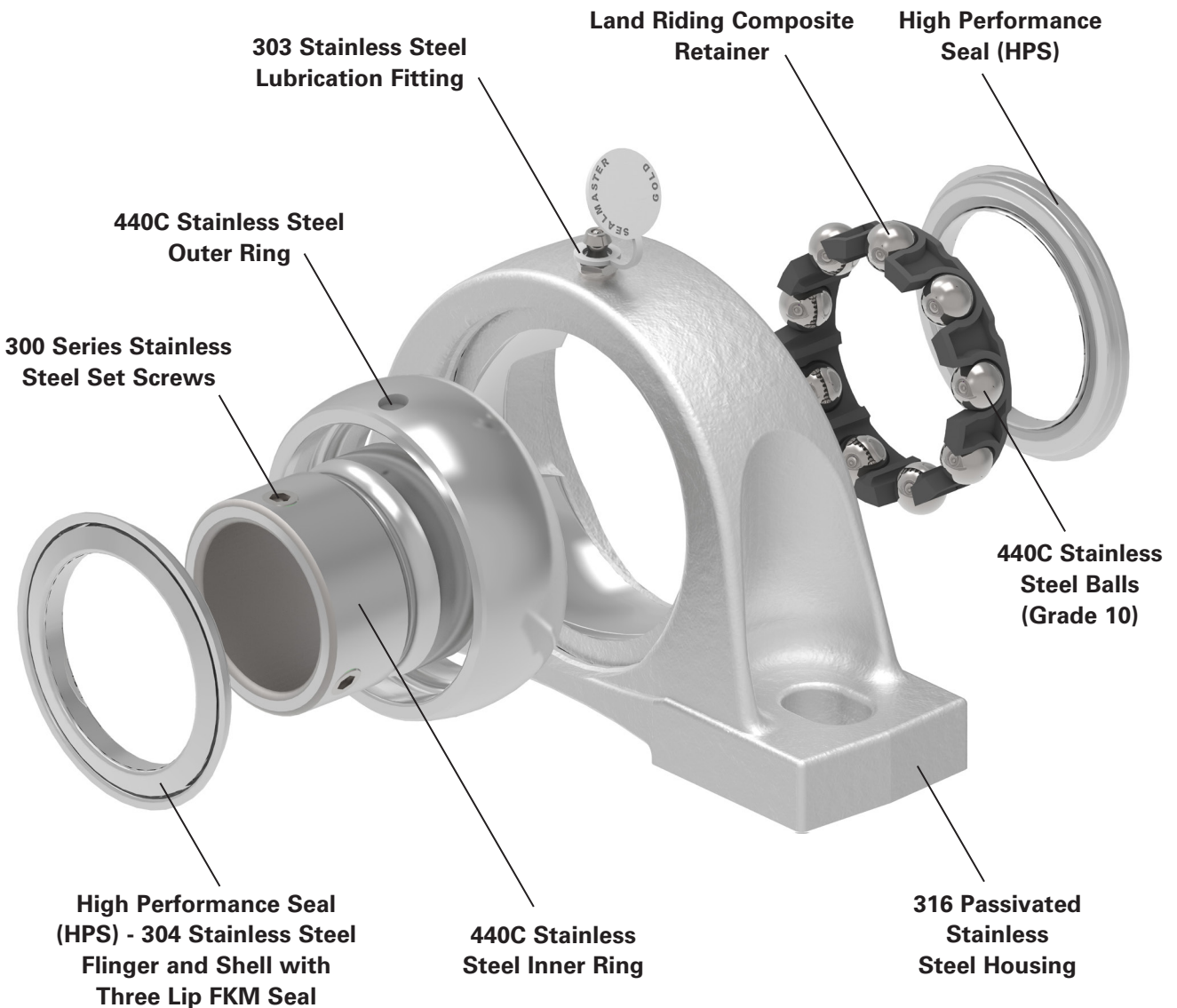


RegalRexnord™

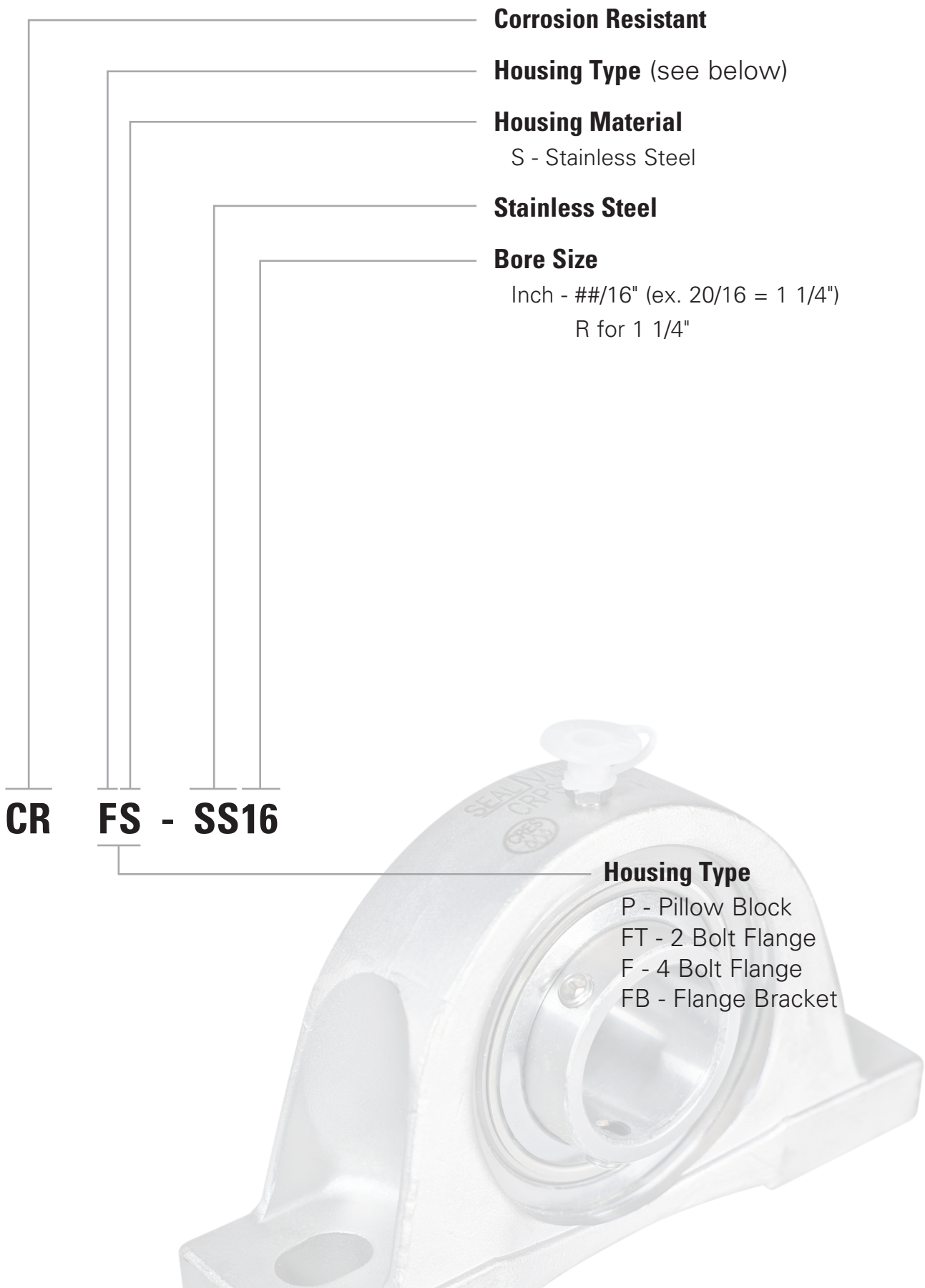


SEALMASTER® SS GOLD MOUNTED BALL BEARINGS

Sealmaster Stainless Steel Gold mounted bearings feature a stainless steel insert with high performance seal technology available in multiple housing configurations with set screw collars. The multiple lip FKM rubber seal and stainless steel flinger provide excellent washdown and contamination resistance in addition to retaining food grade grease. Specifically engineered for industries with corrosive wash down environments such as food and beverage, pharmaceuticals and chemical processing. Available with a lubrication fitting or as a reduced maintenance "sealed for life" design with a stainless steel plug. SS Gold mounted ball bearings meet IP69K standards providing a solution that delivers assurance the system is cleaner, safer, and higher performing.



SEALMASTER® SS GOLD NOMENCLATURE





FEATURES AND BENEFITS

BEARING RACES

The inner and outer ring of the Sealmaster® SS Gold are a 440C stainless steel which provides good load capacity and corrosion resistance for a wide range of applications and chemicals.



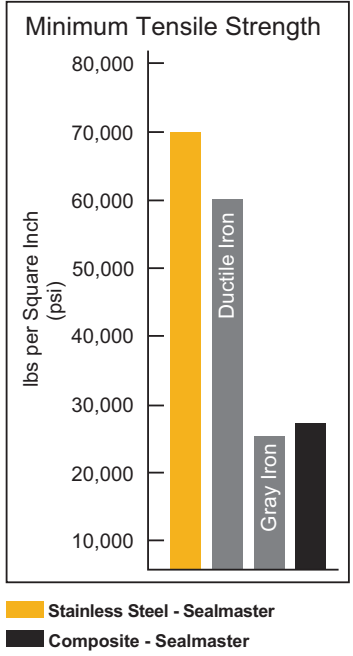
WIDE OUTER RACE

Sealmaster has the industry's widest outer race – 20 to 30% wider than industry standard outer races. This feature results in increased grease capacity, improved sealing options and increases the surface area for absorption of shock load.



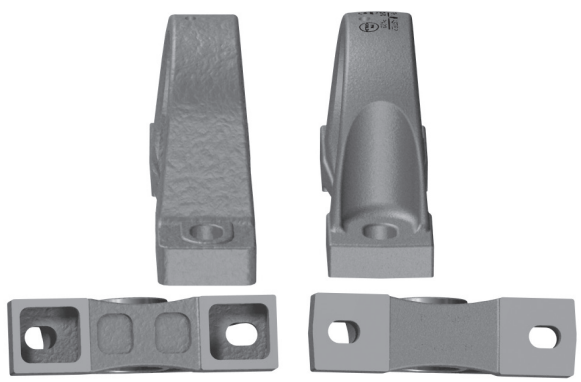
SETScrew LOCKING

300 series stainless steel 120° spaced, balanced three point contact minimizes inner ring distortion vibration, reduces noise, and improves reliability. The inner ring is through hardened and annealed by the set screws to reduce potential for cracking.



STAINLESS STEEL HOUSING

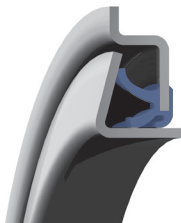
High quality solid base with passivated 316 stainless steel casting to provide a high level of corrosion resistance. The casting process yields a smooth, easy to clean surface. The solid construction with machined base was designed for minimal gaps without fillings.



Competitor Housing

Sealmaster Housing

FEATURES AND BENEFITS CONTINUED



HIGH PERFORMANCE SEAL (HPS)

The triple lip contact seal design provides multi-directional sealing to withstand the toughest food and beverage environments and retain lubrication. The 304 stainless steel flinger protects the FKM rubber seal lips from high pressure spray, contamination and provides a smooth contact surface to minimize wear. The seal cavities are factory filled with H1 food grade grease prior to shipment for additional contamination resistance. Seals conforming to an IP69K rating are dust tight and able to withstand high pressure washdown.

The illustrations below show the relative performance of several manufacturers stainless steel bearings. Complete bearings with seals are sprayed with a 5% salt solution at 100°F. The bearings operate continuously at 500 RPM for 9 hours and idle for 15 hours. The results below are after 2 months.



Competitor Stainless Single Lip Seal

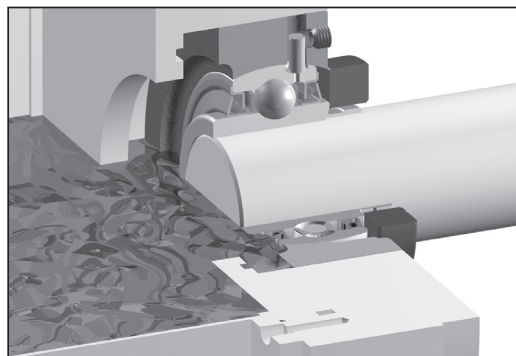
Competitor Stainless Single Lip Seal

Competitor Stainless Multiple Lip Seal

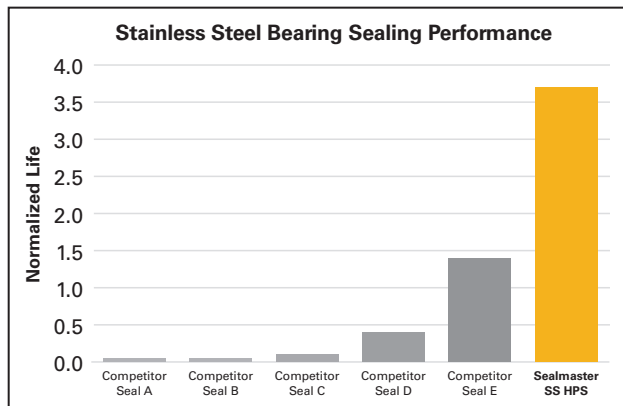
Sealmaster Stainless HPS Seal

The 3 competitor bearings allowed moisture within the bearing causing corrosion, wear, noisy operation and the test to be stopped. The Sealmaster® bearing with improved sealing still ran quietly with no internal corrosion or wear issues where it still had significant life remaining.

The graphic below illustrates the relative performance of rubber contact seals in a slurry contamination test. The bearing is submerged halfway into a slurry mixture (as shown in illustration). The bearing rotates while a separate motor stirs the mixture. The test is stopped when the slurry mixture leaks past the seal.



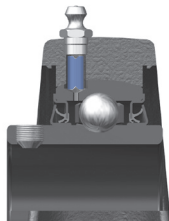
Simulation of Slurry Contamination Test



*The reference to or listing of competitors on this page is not intended to be complete or comprehensive and is intended only to identify, for discussion, examples of companies offering some competitive products and/or services. Source of information is from internal testing.



FEATURES AND BENEFITS CONTINUED



LOCK PIN AND DIMPLE

The Sealmaster exclusive locking pin and dimple system provides a direct lubricant into the bearing cavity & ball path instead of around a lubrication groove, prevents outer ring rotation (sometimes referred to as “creep”), and allows $\pm 2^\circ$ static misalignment of the bearing insert



LAND RIDING RETAINER

The Sealmaster patented retainer design has land riding ribs, grease collection reservoirs and superior pocket clearance to provide more effective lubrication of the rolling elements and raceways. The non-metallic polyphenylene sulfide (PPS) advanced engineered material is chemically resistant and suitable for a wide range of temperatures (-30°F to 400°F). US patent 10,605,307 B1



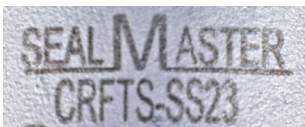
SPECIALIZED FOOD GRADE LUBRICATION

The Sealmaster SS Gold bearings are factory filled with Sealmaster Food Grade grease (USDA H1 approved) which is suitable for mounted bearing lubrication where incidental contact with food products may occur in any application where clean, routine lubrication is required.



ACCESSORIES

Optional accessories are available for SS Gold bearings, allowing for greater customization specific to application needs.



PRODUCT IDENTIFICATION

Specialized laser identification for permanent brand and nomenclature identification.

COMPETITOR COMPARISON

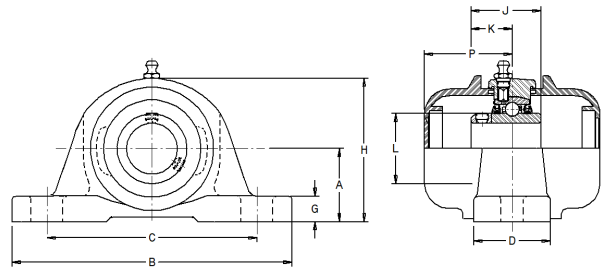
Housing Style	Sealmaster®	AMI®*	Dodge®*	FYH®*	IPTCI®*	NTN®*	PEER®*	SKF®*	Timken®*
Pillow Block	CRPS-SS	MUCP	P2B-SCEZ-SHSS P2B-SCFS-SHFS	UCSP	SUCSP	SUCP	SSUCP	SPB	SUCSP SUCSP
2 Bolt Flange	CRFTS-SS	MUCFL	F2B-SCEZ-SHSS F2B-SCFS-SHFS	UCSFL	SUCSFL	SUCFL	SSUCFT	S2F	SUCSFL SUCSFL
4 Bolt Flange	CRFS-SS	MUCF	F4B-SCEZ-SHSS F4B-SCFS-SHFS	UCSF	SUCSF	SUCF	SSUCF	S4F	SUCSF SUCSF
Flange Bracket	CRFBS-SS	MUCFB	FB-SCEZ-SHSS FB-SCFS-SHFS	N/A	SUCSFB	N/A	SSUCFB	N/A	SUCSFB SUCSFB



* The following trademarks or trade names are owned by or under the control of a third party and are not owned by or under the control of Regal Rexnord Corporation or its affiliates. AMI: AMI Bearings, Inc.; Dodge: Dodge Industrial, Inc.; FYH: FYH Inc.; IPTCI: PT. International LLC; NTN: NTN CORPORATION; Peer: PEER Bearing Company; SKF: Aktiebolaget SKF; Timken: The Timken Company.



- Duty:** Standard
- Housing:** 316 Passivated Stainless Steel Pillow Block
- Self-Alignment:** +/- 2 Degrees
- Lock:** Setscrew
- Seal:** HPS
- Temperature:** -20° to 220°F
- Grease:** H1 Food Grade Grease



CRPS-SS Series Pillow Block Setscrew Locking

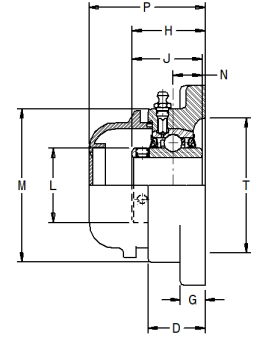
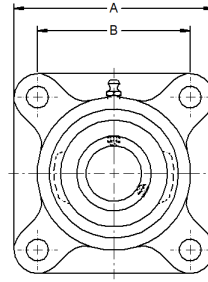
BORE DIAMETER inch	PART No	BEARING INSERT No.	BASIC DYNAMIC RATING lb	DIMENSIONS inch													UNIT Wt. lb	OPEN CAP	CLOSED CAP
				A	B	C		D	G	H	J	K	L	P	BOLT SIZE				
						MIN.	MAX.												
3/4	CRPS-SS12	SS-12	2219	1 5/16	5	3 3/8	4 1/8	1 1/2	1/2	2 9/16	1 7/32	23/32	1 3/16	1 41/64	3/8	1.90	ECO-12	ECC-12	
1	CRPS-SS16	SS-16	2380	1 7/16	5 1/2	3 3/4	4 1/2	1 1/2	1/2	2 13/16	1 3/8	13/16	1 3/8	1 47/64	3/8	1.57	ECO-16	ECC-16	
1 3/16	CRPS-SS19	SS-19	3724	1 11/16	6 1/2	4 7/16	5 1/16	1 7/8	9/16	3 3/8	1 1/2	7/8	1 19/32	1 51/64	1/2	3.80	ECO-19	ECC-19	
1 1/4	CRPS-SS20R	SS-20R															ECO-20R		
1 7/16	CRPS-SS23	SS-23	4915	1 7/8	6 9/16	4 11/16	5 5/16	1 7/8	5/8	3 3/4	1 11/16	1	1 55/64	1 59/64	1/2	4.50	ECO-23	ECC-23	
1 1/2	CRPS-SS24	SS-24	6239	1 15/16	7 1/4	4 7/8	5 7/8	2 1/8	11/16	3 15/16	1 15/16	1 3/16	2 1/16	2 7/64	1/2	5.70	ECO-24	ECC-24	

Not all parts are available from stock. Please contact customer service for availability (800) 626-2120.
 For more information on bearing capabilities outside of our standard offering, please contact Application Engineering (800) 626-2093.

SS Gold™ Mounted Ball Bearings **SEALMASTER**®



- Duty:** Standard
- Housing:** 316 Passivated Stainless Steel Four Bolt Flange
- Self-Alignment:** +/- 2 Degrees
- Lock:** Setscrew
- Seal:** HPS
- Temperature:** -20° to 220°F
- Grease:** H1 Food Grade Grease

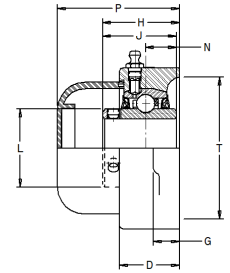
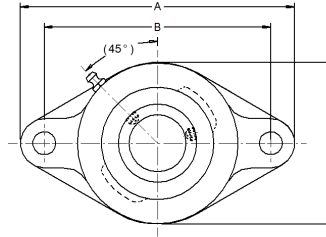


CRFS-SS Series 4 Bolt Flange Setscrew Locking

BORE DIAMETER inch	PART No	BEARING INSERT No.	BASIC DYNAMIC RATING lb	DIMENSIONS inch												UNIT Wt. lb	OPEN CAP	CLOSED CAP	BACKSIDE SHIELD
				A	B	D	G	H	J	L	M	N	P	T	BOLT SIZE				
3/4	CRFS-SS12	SS-12	2219	3 3/8	2 1/2	31/32	7/16	1 9/32	1 7/32	1 3/16	2 1/2	1/2	2 19/64	2	3/8	1.50	ECO-12	ECC-12	4BSS-12
1	CRFS-SS16	SS-16	2380	3 3/4	2 3/4	1 5/64	17/32	1 7/16	1 3/8	1 3/8	2 23/32	9/16	2 7/16	2 3/8	7/16	2.10	ECO-16	ECO-16	4BSS-16
1 3/16	CRFS-SS19	SS-19	3724	4 1/4	3 1/4	1 7/32	17/32	1 9/16	1 1/2	1 19/32	3 7/32	5/8	2 37/64	2 7/8	7/16	3.05	ECO-19	ECC-19	4BSS-19
1 1/4	CRFS-SS20R	SS-20R															ECO-20R		4BSS-20R
1 7/16	CRFS-SS23	SS-23	4915	4 5/8	3 5/8	1 11/32	9/16	1 3/4	1 11/16	1 55/64	3 3/4	11/16	2 3/4	3 5/16	1/2	4.10	ECO-23	ECC-23	4BSS-23
1 1/2	CRFS-SS24	SS-24	6239	5 1/8	4	1 1/2	9/16	2 1/64	1 15/16	2 1/16	4 5/64	3/4	3 1/64	3 1/2	1/2	5.50	ECO-24	ECC-24	4BSS-24



- Duty:** Standard
- Housing:** 316 Passivated Stainless Steel Two Bolt Flange
- Self-Alignment:** +/- 2 Degrees
- Lock:** Setscrew
- Seal:** HPS
- Temperature:** -20° to 220°F
- Grease:** H1 Food Grade Grease



CRFTS-SS Series 2 Bolt Flange Setscrew Locking

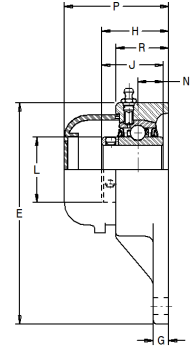
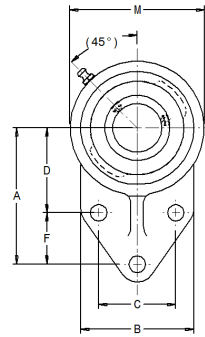
BORE DIAMETER inch	PART No	BEARING INSERT No.	BASIC DYNAMIC RATING lb	DIMENSIONS inch												UNIT Wt. lb	OPEN CAP	CLOSED CAP	BACKSIDE SHIELD
				A	B	C	D	G	H	J	L	N	P	T	BOLT SIZE				
3/4	CRFTS-SS12	SS-12	2219	4 13/32	3 17/32	2 3/8	31/32	7/16	1 9/32	1 7/32	1 3/16	1/2	2 19/64	2	3/8	1.20	ECO-12	ECC-12	2BSS-12
1	CRFTS-SS16	SS-16	2380	4 7/8	3 57/64	2 3/4	1 5/64	17/32	1 7/16	1 3/8	1 3/8	9/16	2 7/16	2 3/8	7/16	1.60	ECO-16	ECO-16	2BSS-16
1 3/16	CRFTS-SS19	SS-19	3724	5 9/16	4 19/32	3 1/4	1 7/32	17/32	1 9/16	1 1/2	1 19/32	5/8	2 9/16	2 7/8	7/16	2.36	ECO-19	ECC-19	2BSS-19
1 1/4	CRFTS-SS20R	SS-20R															ECO-20R		2BSS-20R
1 7/16	CRFTS-SS23	SS-23	4915	6 1/8	5 1/8	3 3/4	1 11/32	9/16	1 3/4	1 11/16	1 55/64	11/16	2 3/4	3 5/16	1/2	3.20	ECO-23	ECC-23	2BSS-23
1 1/2	CRFTS-SS24	SS-24	6239	6 3/4	5 21/32	4 1/8	1 1/2	9/16	2 1/64	1 15/16	2 1/16	3/4	3 1/64	3 1/2	1/2	4.50	ECO-24	ECC-24	2BSS-24

Not all parts are available from stock. Please contact customer service for availability (800) 626-2120.
 For more information on bearing capabilities outside of our standard offering, please contact Application Engineering (800) 626-2093.

SS Gold™ Mounted Ball Bearings



- Duty:** Standard
- Housing:** 316 Passivated Stainless Steel Flange Bracket
- Self-Alignment:** +/- 2 Degrees
- Lock:** Setscrew
- Seal:** HPS
- Temperature:** -20° to 220°F
- Grease:** H1 Food Grade Grease



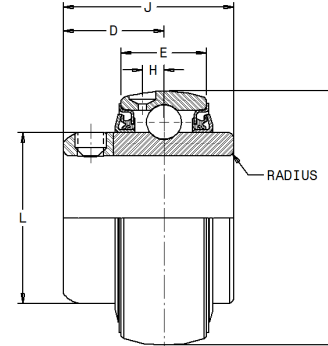
CRFBS-SS Series Flange Bracket Setscrew Locking

BORE DIAMETER inch	PART No	BEARING INSERT No.	BASIC DYNAMIC RATING lb	DIMENSIONS inch														UNIT Wt. lb	OPEN CAP	CLOSED CAP	
				A	B	C	D	E	F	G	H	J	L	M	N	P	R				BOLT SIZE
3/4	CRFBS-SS12	SS-12	2219	3	2 3/8	1 1/2	1 11/16	4 1/4	7/8	5/16	1 11/32	1 7/32	1 3/16	2 1/2	1/2	2 1/4	1 1/32	3/8	1.30	ECO-12	ECC-12
1	CRFBS-SS16	SS-16	2380	3 3/8	2 1/2	1 5/8	1 13/16	4 3/4	1 1/8	3/8	1 1/2	1 3/8	1 3/8	2 3/4	9/16	2 5/32	1 9/64	3/8	2.10	ECO-16	ECO-16
1 3/16	CRFBS-SS19	SS-19	3724	3 3/4	2 3/4	1 7/8	2 1/16	5 3/8	1 1/4	3/8	1 5/8	1 1/2	1 19/32	3 1/4	5/8	2 17/32	1 9/32	3/8	3.00	ECO-19	ECC-19
1 1/4	CRFBS-SS20R	SS-20R																		ECO-20R	
1 7/16	CRFBS-SS23	SS-23	4915	4 1/4	3 1/4	2	2 3/8	6 1/8	1 1/4	1/2	1 7/8	1 11/16	1 55/64	3 3/4	11/16	2 25/32	1 15/32	1/2	3.10	ECO-23	ECC-23

1 1/2 Not Available



- Duty:** Standard
- Lock:** Setscrew
- Seal:** HPS
- Temperature:** -20° to 220°F



SS Series Insert Setscrew Locking

BORE DIAMETER inch	PART No.	BASIC DYNAMIC RATING lb	DIMENSIONS inch								MAX RAD. TO CLEAR	SETScrew TAP	UNIT Wt. lb
			A	D	E	G	H	J	L				
3/4	SS-12	2219	1.8504	23/32	5/8	3/16	9/64	1 7/32	1 3/16	.040	1/4-28	.5	
1	SS-16	2380	2.0472	13/16	11/16	7/32	11/64	1 3/8	1 3/8	.040	1/4-28	.6	
1 3/16	SS-19	3724	2.4409	7/8	7/8	7/32	7/32	1 1/2	1 19/32	.040	1/4-28	1.0	
1 1/4	SS-20R												
1 7/16	SS-23	4915	2.8346	1	15/16	1/4	1/4	1 11/16	1 55/64	.040	5/16-24	1.5	
1 1/2	SS-24	6239	3.1496	1 3/16	1 3/32	5/16	19/64	1 15/16	2 1/16	.062	5/16-24	1.9	

PRODUCT CATALOG



SEALMASTER®

Industrial Powertrain Solutions Regal Rexnord

Customer Service: 800-626-2120

Technical Service: 800-626-2093

CustomerService.PTSolutions@regalrexnord.com

regalrexnord.com

The proper selection and application of products and components, including assuring that the product is safe for its intended use, are the responsibility of the customer. To view our Application Considerations, please visit <https://www.regalrexnord.com/Application-Considerations>.

To view our Standard Terms and Conditions of Sale, please visit <https://www.regalrexnord.com/Terms-and-Conditions-of-Sale> (which may redirect to other website locations based on product family).

"Regal Rexnord" is not indicative of legal entity. Refer to product purchase documentation for the applicable legal entity.

Regal Rexnord and Sealmaster are trademarks of Regal Rexnord Corporation or one of its affiliated companies.

© 2023 Regal Rexnord Corporation, All Rights Reserved. MCC23007E • Form# 10565E

RegalRexnord