



## **S442 PLASTIC LOCKOUT HASP WITH 3MM SHACKLE**

**A reliable lockout hasp solution for smaller isolation points**

The S442 plastic lockout hasp with 3mm shackle offers a smaller, nonconductive solution for organizations who need to keep equipment inoperative while repairs or adjustments are being made.

# Thinner shackle for unique applications

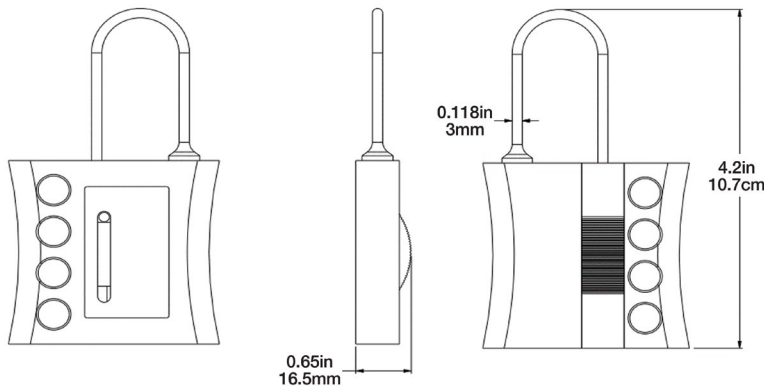
The Master Lock S442 plastic lockout sliding hasp was engineered with a thinner, spark-proof shackle to meet the demands of organizations who need to secure electrical panel enclosures with small isolation points.

- Made from highly durable, non-conductive plastic
- Thinner 3mm diameter plastic shackle
- Red body to increase visibility
- Accommodates up to 4 personal padlocks
- Includes labels in French, Spanish & English
- Optimal operating temperatures -10°C to 50°C



## Specifications

<b>Shackle Dia.</b>	0.118in (3mm)	<b>Shackle Swing Ht.</b>	1.9in (48.5mm)
<b>Height</b>	4.2in (10.7cm)	<b>Weight</b>	0.044lbs (20 gr)
<b>Max. Width</b>	0.65in (16.5mm)	<b>Tensile Force</b>	48 lb



Visit [masterlocksafety.com](https://www.masterlocksafety.com) for all Safety Lockout products

**Master  
Lock**

[www.masterlock.com](https://www.masterlock.com)

Master Lock Company LLC, Milwaukee, WI 53154 U.S.A. | 800-308-9244  
Master Lock Canada, Mississauga, Ontario L5L 5Z9 Canada  
© 2023 Master Lock Company | All Rights Reserved.

7000-0144 MC Printing 1500 11/23

See How  
it Works

