



## TABLE OF CONTENTS

### CTA Series Gear Drives

Sizes 2255 thru 2350 ..... 2 - 5

## INTRODUCTION

This literature applies to Falk CT-Series standard gear drives with ratings, speeds, ratios, and dimensions as cataloged in current Rexnord selection guides. Contact Rexnord for all specials and modifications.

1. **IDENTIFY DRIVE** — Give complete data shown on drive nameplate. Also, give reference numbers, Falk part numbers, and name of parts required. Drawings and reference numbers are representative of all sizes and the actual parts may not agree in exact detail for each drive size. Complete nameplate data and parts reference number will assure receipt of correct parts.

The numerical designation stamped on the nameplate completely identifies all parts used in the drive. All drives with exactly the same nameplate markings have interchangeable rotating elements.

|  |                   |                  |
|--|-------------------|------------------|
| <b>FALK</b>  |                   | ENCLOSED         |
|  |                   | GEAR DRIVE       |
| MODEL  |                   |                  |
| M.O.   | RATIO             |                  |
| INPUT RPM  | SERVICE RATING HP |                  |
| OUTPUT RPM   | SERVICE FACTOR    |                  |
| CLASS  | DATE              | APPROX U.S. GALS |
| Rexnord Industries, LLC<br>www.rexnord.com 1220915 |                   |                  |

Sample Nameplate

2. **IDENTIFY INDIVIDUAL PARTS** — Use the appropriate exploded view to determine the Reference Numbers of the required parts.
3. **NOTE** — It is recommended that the shaft seals be replaced whenever it becomes necessary to disturb a seal in the process of disassembling a drive. New shim-gaskets are recommended to prevent oil leakage and in some cases necessary to adjust internal running clearances.

**PINIONS, GEARS, & SHAFTS** — Replacement of a pinion, gear or shaft may also require the replacement of the respective connected parts. It is recommended that the factory be contacted to help make that determination.

Except for bearings and seals, replacement parts are only available as assemblies. Rexnord can normally furnish a total rotating assembly more economically than if the customer purchases individual parts, disassembles the old parts, and reassembles using some new and old parts. Falk replacement assemblies also reduce downtime and always consist of all new parts.

**FASTENERS** — Fasteners are sold as part of their respective assemblies. Fasteners describe cap screws, bolts, studs, nuts and lock washers as required.

**RATIO CHANGE** — Refer complete information to Rexnord.

**SHAFT COUPLINGS** — Refer to coupling parts guide and price list.

4. **HOW TO USE THIS GUIDE** — Use the Part Reference Number (step 2) and the drive Model Number (Step 1) to determine the part description and use this information to order the required parts.

5. **ORDER PLACEMENT** — Place your order with your local Rexnord Account Executive or Distributor. If you need assistance call the number below.

## BEARING & SEAL IDENTIFICATION

Refer to the exploded views in each parts diagram to identify the bearings and oil seals by the parts list Reference Numbers. Then refer to the subsequent tables to determine the correct bearing or seal and the commercial number.

## CORROSION PROTECTION & STORAGE

**CAUTION:** Follow guidelines below to avoid damage to parts.

1. For domestic or indoor storage, the Factory provides standard 24 month protection as boxed or optional 24 month protection for individual parts.
2. For export or outdoor storage, the Factory provides optional 18 month protection.

**CAUTION:** This protection does not cover exposure to elements such as standing water, etc.

# CTA Series Gear Drives

Type CTA • Sizes 2255-2350 • Double Reduction

Figure 1 — Housing Assembly

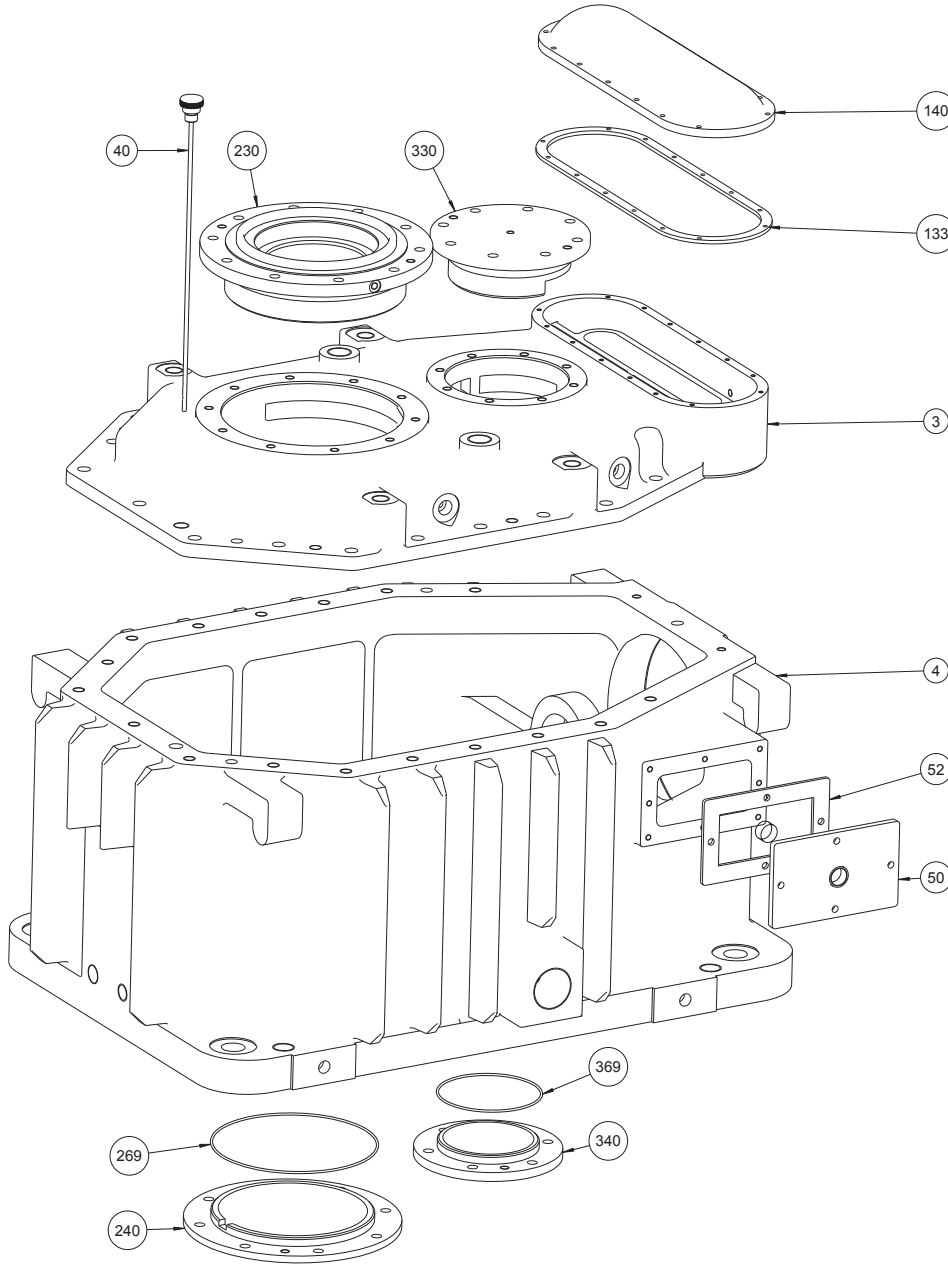


TABLE 1 – Parts List Housing Assembly

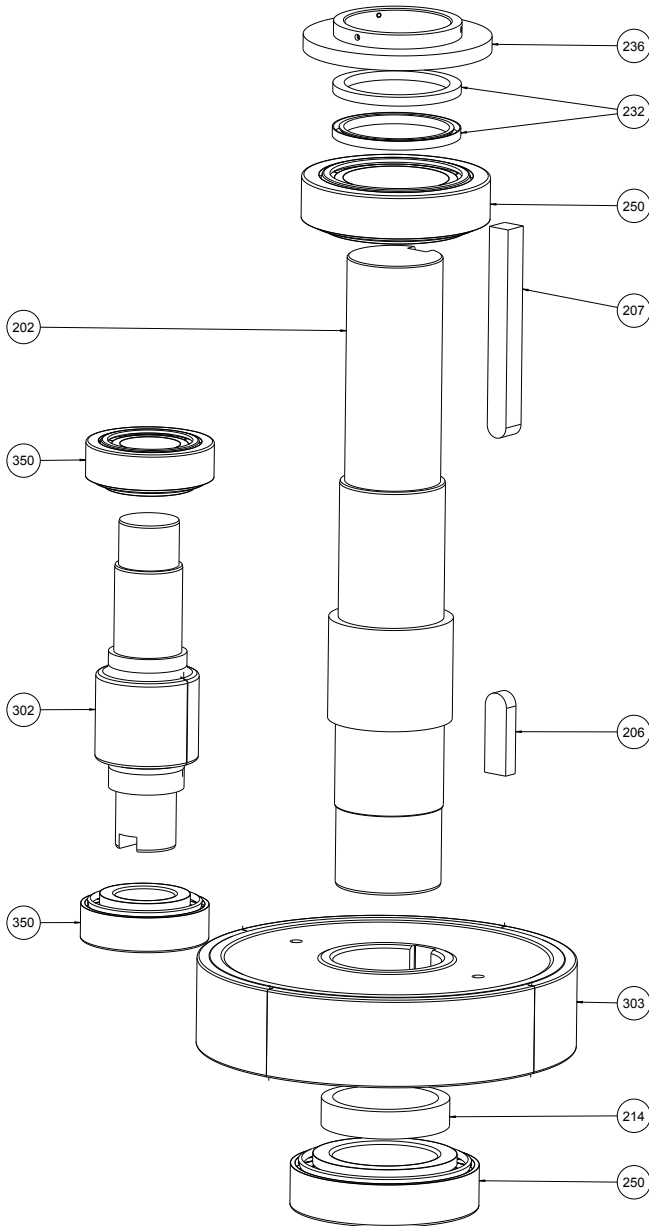
| Ref No. | Part Description                       |
|---------|--|
| 03      | Upper Housing                          |
| 04      | Lower Housing                          |
| 40      | Dipstick                               |
| 50      | Cover, Inspection Port                 |
| 52      | Gasket, Inspection Cover               |
| 133     | Gasket, Upper Housing Cover            |
| 140     | Cover, Upper Housing                   |
| 230     | Cover, Labyrinth Ring                  |
| 240     | Lower Cover, Low Speed Shaft           |
| 269     | O-ring, Lower Low Speed Shaft Cover    |
| 330     | Upper Cover, Intermediate Shaft        |
| 340     | Lower Cover, Intermediate Shaft        |
| 369     | O-ring, Lower Intermediate Shaft Cover |

TABLE 2 – Part Numbers Housing Assembly

| Drive Size | Ratios | Falk No. |
|------------|--------|----------|
| 2255       | All    | 10830866 |
| 2275       | All    | 10830867 |
| 2310       | All    | 10830868 |
| 2350       | All    | 10830869 |

**Type CTA • Sizes 2255-2350 • Double Reduction**

**Figure 2 — Low & Intermediate Speed Shaft Assembly**



**TABLE 3 – Parts List  
 Low & Intermediate Speed  
 Shaft Assembly**

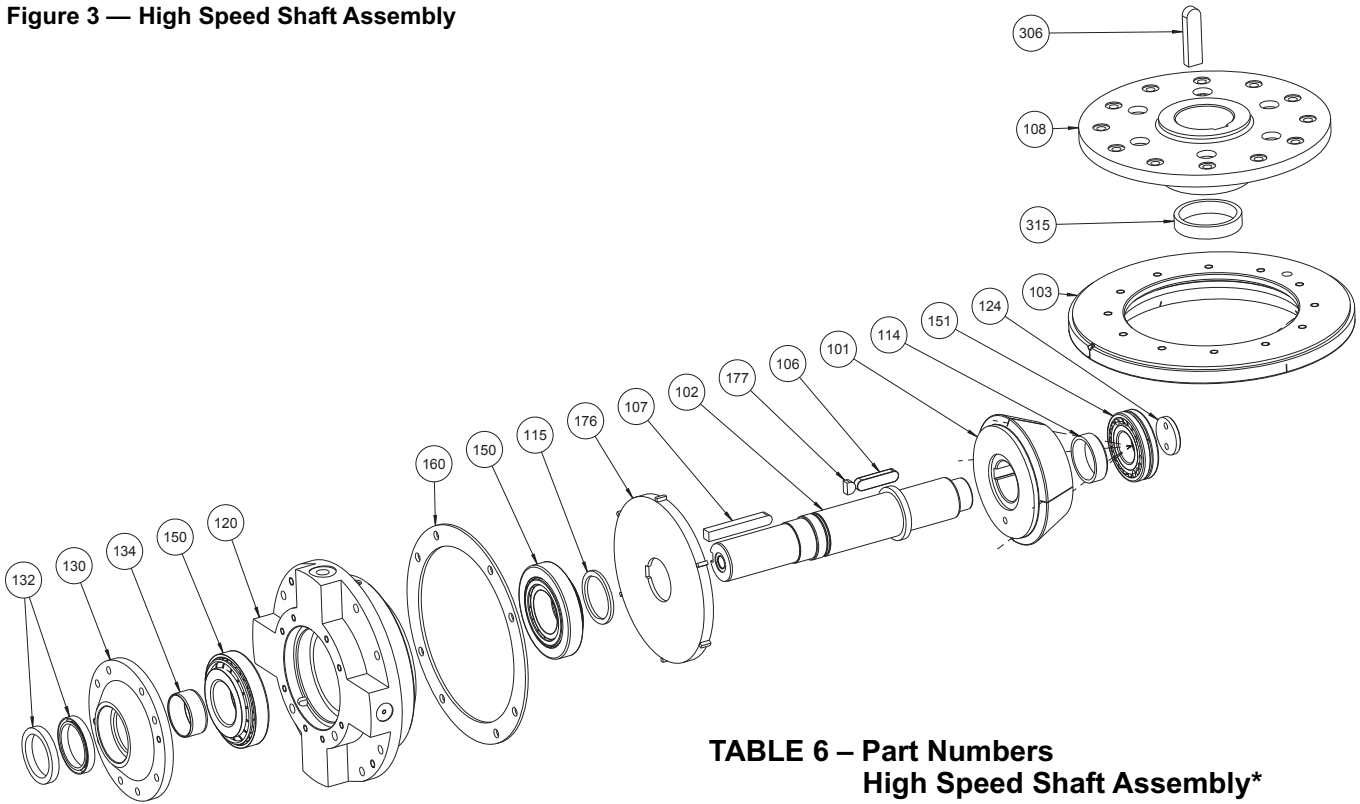
| Ref No.       | Part Description                               |
|---------------|--|
| 302           | Intermediate Pinion Shaft                      |
| 202           | Shaft, Low Speed                               |
| 206           | Key, Helical Gear Wheel                        |
| 207           | Key, Output                                    |
| 214           | Spacer, Low Speed Shaft Assembly               |
| 232           | Seal, Low Speed (Quantity 2)                   |
| 236           | Labyrinth Ring                                 |
| 250           | Bearing, Low Speed Shaft (Quantity 2)          |
| 260 Not Shown | Shim Set, Low Speed Shaft Assembly             |
| 302           | Intermediate Pinion Shaft                      |
| 303           | Helical Gear Wheel                             |
| 350           | Bearing, Intermediate Speed Shaft (Quantity 2) |
| 360 Not Shown | Shim Set, Intermediate Shaft Assembly          |
| 366 Not Shown | Shim Set, Intermediate Shaft Assembly          |

**TABLE 4 – Part Numbers  
 Low & Intermediate Speed  
 Shaft Assembly**

| Drive Size | Ratios                     | Falk No. |
|------------|----------------------------|----------|
| 2255       | 7.5, 9, 10.5, 12           | 10830689 |
|            | 8, 9.5, 11, 13             | 10830690 |
|            | 8.5, 10, 14                | 10830691 |
| 2275       | 8, 9.5, 11, 13             | 10830692 |
|            | 8.5, 10, 12, 14            | 10830693 |
|            | 9, 15                      | 10830696 |
| 2310       | 10.5, 17                   | 10830697 |
|            | 10, 12, 12.5, 15, 15.5, 16 | 10830676 |
|            | 9, 10.5, 11, 13, 14        | 10830679 |
| 2350       | 11, 13                     | 10830653 |
|            | 12, 14, 16                 | 10830654 |
|            | 12.5                       | 10830655 |
|            | 15, 17, 20                 | 10830686 |
|            | 15.5, 18                   | 10830687 |
|            | 19                         | 10830688 |

**Type CTA • Sizes 2255-2350 • Double Reduction**

Figure 3 — High Speed Shaft Assembly



**TABLE 5 – Parts List  
 High Speed Shaft Assembly**

| Ref No. | Part Description                                |
|---------|---|
| 101     | Spiral Bevel Gear Pinion                        |
| 102     | Shaft, High Speed                               |
| 103     | Spiral Bevel Gear Wheel                         |
| 106     | Key, Spiral Bevel Gear Pinion                   |
| 107     | Key, Input                                      |
| 108     | Hub, Spiral Bevel Gear Wheel                    |
| 114     | Spacer, High Speed Shaft Assembly               |
| 115     | Spacer, High Speed Shaft Assembly               |
| 120     | High Speed Bearing Housing                      |
| 124     | End Plate, High Speed Shaft Assembly            |
| 130     | Cover, High Speed Shaft Assembly                |
| 132     | Seal, High Speed (Quantity 2)                   |
| 134     | Sleeve, High Speed Seal                         |
| 150     | Bearing, High Speed Shaft Assembly (Quantity 2) |
| 151     | Bearing, High Speed Shaft Assembly              |
| 160     | Gasket, Aluminum – High Speed Shaft Assembly    |
| 176     | Oil Thrower                                     |
| 177     | Key, Spiral Bevel Gear Pinion                   |
| 306     | Key, Intermediate Pinion Shaft                  |
| 315     | Spacer, Intermediate Pinion Shaft Assembly      |

**TABLE 6 – Part Numbers  
 High Speed Shaft Assembly\***

| Drive Size | Ratios                  | Falk No. |
|------------|-------------------------|----------|
| 2255       | 7.5, 8, 8.5             | 10803170 |
|            | 9, 9.5, 10              | 10803172 |
|            | 10.5, 11                | 10803173 |
|            | 12, 13, 14*             | 10803174 |
| 2275       | 8, 8.5, 9, 10.5         | 10803169 |
|            | 9.5, 10                 | 10803168 |
|            | 11, 12                  | 10803167 |
|            | 13, 14, 15, 17*         | 10803166 |
| 2310       | 9, 10                   | 10616013 |
|            | 10.5, 12                | 10616014 |
|            | 11, 12.5                | 10616015 |
|            | 13                      | 10616018 |
|            | 14, 16                  | 10616019 |
|            | 15                      | 10615743 |
|            | 15.5                    | 10616020 |
| 2350       | 11, 12, 15              | 10803162 |
|            | 12.5, 13, 14, 15.5, 17* | 10803163 |
|            | 16, 18, 19, 20*         | 10803165 |

\*Pinion shaft and spiral bevel gear head (ref. # 101 & 102) are integrated.

**Type CTA • Sizes 2255-2350 • Double Reduction**

**TABLE 7 – Low & Intermediate Speed Shaft Assembly**

**Shaft Seals**

| Ref No. | Drive Size | Description   | Commercial No.     |
|---------|------------|---------------|--------------------|
| 232     | 2255       | Seal, Nitrile | 120x150x12 HMS5 RG |
|         | 2275       |               | 130x160x12 HMS5 RG |
|         | 2310       |               | 140x170x12 HMS5 RG |
|         | 2350       |               | 150x180x12 HMS5 RG |

**Bearings**

| Ref No. | Drive Size | Description            | Commercial No. |
|---------|------------|------------------------|----------------|
| 250     | 2255       | Tapered Roller Bearing | 32224          |
|         | 2275       |                        | 32226          |
|         | 2310       |                        | 32228-A        |
|         | 2350       |                        | 32230          |
| 350     | 2255       |                        | 32313          |
|         | 2275       |                        | 32315          |
|         | 2310       |                        | 32316 J2       |
|         | 2350       |                        | 32320          |

**TABLE 8 – High Speed Shaft Assembly Shaft Seals**

| Ref No. | Drive Size | Description   | Commercial No.    |
|---------|------------|---------------|-------------------|
| 132     | 2255       | Seal, Nitrile | 65x80x8 HMS5 RG   |
|         | 2275       |               | 70x90x12 HMS5 RG  |
|         | 2310       |               | 70x90x12 HMS5 RG  |
|         | 2350       |               | 90x110x12 HMS5 RG |

**Bearings**

| Ref No. | Drive Size | Description              | Commercial No. |
|---------|------------|--------------------------|----------------|
| 150     | 2255       | Tapered Roller Bearing   | 31312          |
|         | 2275       |                          | 31314          |
|         | 2310       |                          | 31314          |
|         | 2350       |                          | 31317          |
| 151     | 2255       | Spherical Roller Bearing | 22208          |
|         | 2275       |                          | 22209          |
|         | 2310       |                          | 21310 E        |
|         | 2350       |                          | 222111         |