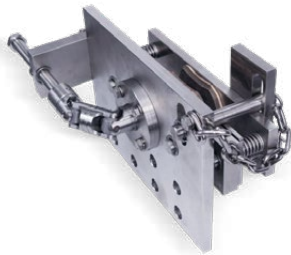


# POWER TRANSMISSION SOLUTIONS FOR COOLING TOWERS



## ADDAX® COOLING TOWER BRAKES

- Secures equipment from damage during high wind event/storm (hurricane typically)
- Protects personnel doing maintenance inside the cooling tower cell
- Universal brake mounting for easy installation

Find out more, see the Addax Brakes Product Sheet [CP5-011](#) in our Documentation Library: [rexnord.com/documentation](http://rexnord.com/documentation)



## ADDAX COMPOSITE COUPLINGS

- Lightweight composite design delivers the lowest Total Cost of Ownership
- Center section weighs less than 25% of comparable steel spacer, reducing overhung loads and eliminating need for special lifting equipment during installation
- Spans the distance from motor to gearbox without intermediate support bearings
- 24 hour expedited lead time available

Find out more: [rexnord.com/addax](http://rexnord.com/addax)



## FALK® CTA SERIES GEAR DRIVES

- Direct replacement of common Amarillo®\* gearboxes
- Available in 4 sizes (255, 275, 310, 350) and 23 standard ratios
- After-market support — select ratios available at reduced lead times
- Superior performance and reliability yields operational savings and increased system uptime
- QR Code functionality to simplify asset management

Find out more: [rexnord.com/CTA](http://rexnord.com/CTA)



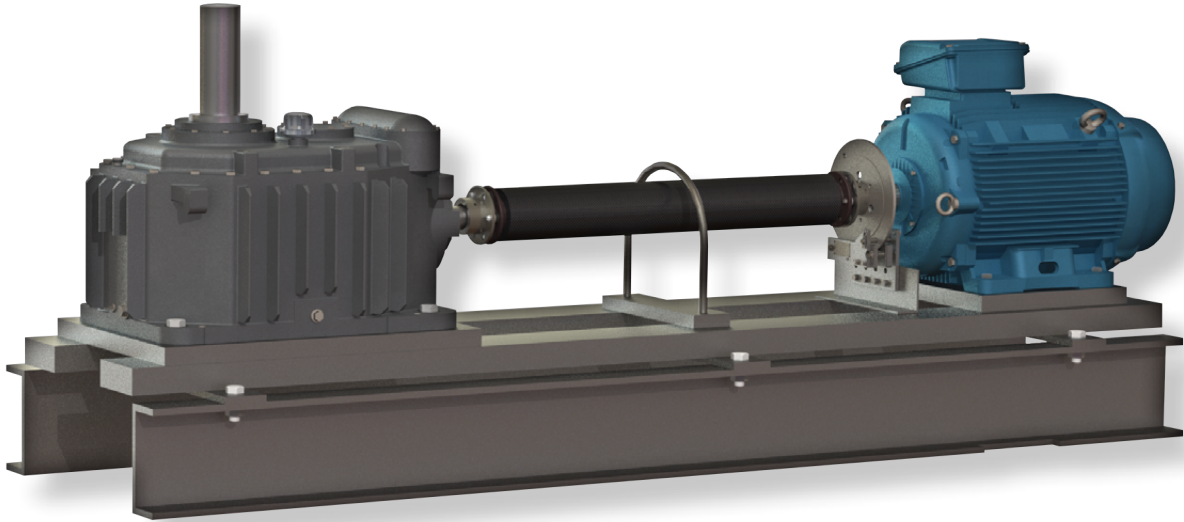
## MARATHON® MOTORS GLOBETROTTER® GENERAL PURPOSE TEFC

- Redesigned totally enclosed cast iron construction
- Built to withstand the corrosive conditions of Cooling Tower applications with IP55 protection
- Energy savings and operating cost reduction with IE3 efficiencies
- Dual frame mounting holes on base provide easy and versatile mounting

Find out more: [regalrexnord.com/brands/marathon-motors](http://regalrexnord.com/brands/marathon-motors)



# POWER TRANSMISSION SOLUTIONS FOR COOLING TOWERS



## Rexnord Industrial Services (RIS)

**LARGEST NETWORK OF POWER TRANSMISSION REPAIR SHOPS IN THE U.S.**



Comprehensive offering of industrial equipment services:

- Gear drive repair
- Drive shaft, brake & clutch solutions
- On site repair and installation services
- Spares management & warranty extension
- Drop-in replacement drives
- After-market parts

Find out more: [rexnord.com/RIS](http://rexnord.com/RIS)



## Motion Control Solutions Regal Rexnord

Contact us: [rexnord.com/contact](http://rexnord.com/contact)

[regalrexnord.com](http://regalrexnord.com)

The proper selection and application of products and components, including assuring that the product is safe for its intended use, are the responsibility of the customer. To view our Application Considerations, please visit <https://www.regalrexnord.com/Application-Considerations>.

To view our Standard Terms and Conditions of Sale, please visit <https://www.regalrexnord.com/Terms-and-Conditions-of-Sale> (which may redirect to other website locations based on product family).

"Regal Rexnord" is not indicative of legal entity.

Regal Rexnord, Rexnord, Addax, Falk, Marathon and Globetrotter are trademarks of Regal Rexnord Corporation or one of its affiliated companies.

© 2018, 2022 Regal Rexnord Corporation, All Rights Reserved.

MCSSI22007E • Form# GR5-041E

